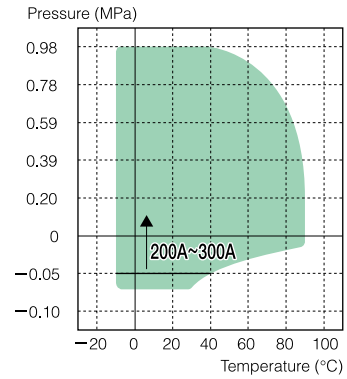
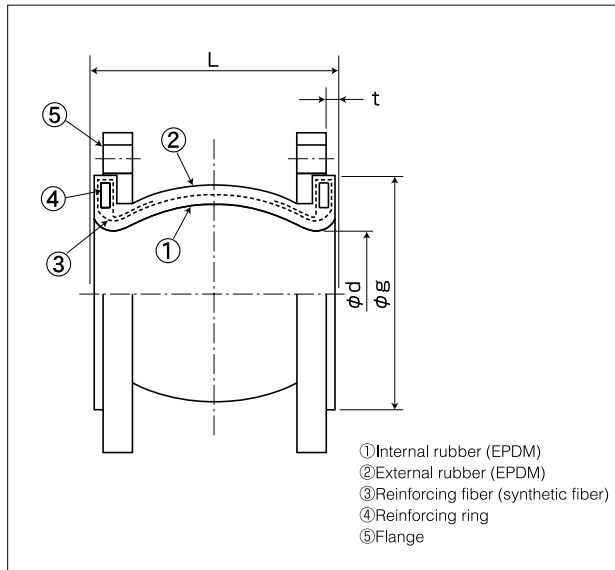


Spherical flexible joint

For construction equipment



Operating pressure: 0.98MPa (10kgf/cm²) or lower
 Negative pressure: -0.07MPa (-0.7kgf/cm²) or higher
 ※200A to 300A: -0.05MPa (-0.5kgf/cm²) or higher
 Operating temperature: -10°C~+90°C (Cooling and heating water)
 ● Before use, check that maximum working pressure and maximum working temperature are within operational ranges.

Standard dimensions and allowable displacements

Nominal diameter	Unit dimensions				Allowable displacement				Allowable displacement upon installation				Weight (kg)
	φd (mm)	φg (mm)	L (mm)	t (mm)	Expansion (mm)	Contraction (mm)	Eccentricity (mm)	Declination (°)	Expansion (mm)	Contraction (mm)	Eccentricity (mm)	Declination (°)	
25	24	67	96	6.0	5	5	5	5	2	2	2	1	2.4
32	30	73	96	6.0	5	5	5	5	2	2	2	1	3.1
40	37	79	96	6.0	5	5	5	5	2	2	2	1	3.2
50	47	94	106	6.0	5	5	5	5	2	2	2	1	3.9
65	59	114	107	6.0	5	5	5	5	2	2	2	1	5.3
80	72	124	126	6.0	5	5	5	5	2	2	2	1	5.7
100	95	149	126	6.0	10	5	5	5	4	2	2	1	6.7
125	117	180	157	8.0	10	5	10	5	4	2	4	1	10.5
150	144	210	158	10.0	10	5	10	5	4	2	4	1	14.0
200	192	260	210	10.0	10	5	10	5	4	2	4	1	18.1
250	240	320	210	12.0	10	5	10	5	4	2	4	1	25.8
300	294	365	217	12.0	5	5	5	5	4	2	4	1	27.6

- Weights with SS400 or JIS10K flanges (standard) mounted are indicated.
- Dimension allowances on installation are included in allowable displacements.
 (Allowable displacement = Dimension allowances on installation + Displacement under operation)

Product features

- ① Excellent performance of vibrational absorption.
- ② Excellent installation workability with loose flange.

Product applications

- ① Air-conditioning equipment
- ② Plumbing systems
- ③ Production equipment
- ④ Various plant equipment

Considerations for handling

- This product is not equipped with a control unit as standard.
- This product may not be used with oils or solvents.
- This product may not be used with piping for hot water and swimming pool water circulatory systems.
 We recommend PF type products with PTFE internal material for these applications.



※Specifications and structures are subject to change without notice for purposes of improvement.