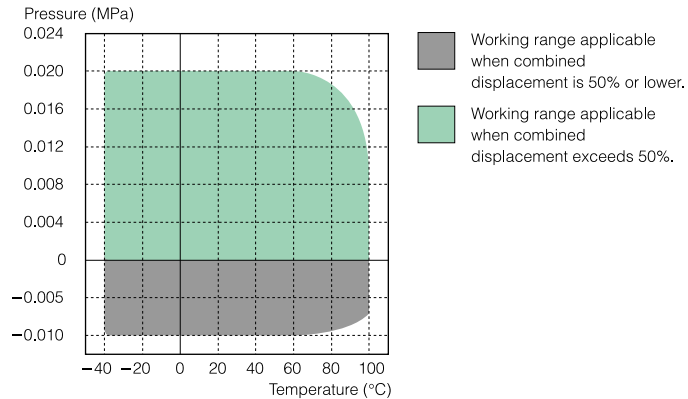
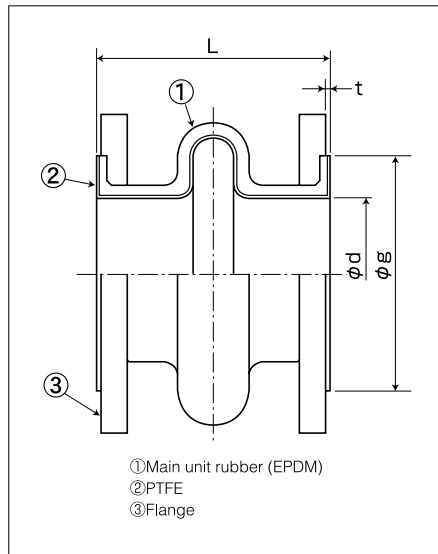


Ultra- Flexible SF Type (small diameter)



Operating pressure: 0.02MPa (2kgf/cm²) or lower
Negative pressure: -0.01MPa (-0.1kgf/cm²) or higher
Operating temperature: -30°C ~ +100°C (Cooling and heating water)
● Before use, check that maximum working pressure and maximum working temperature are within operational ranges.

Standard dimensions and allowable displacements

Nominal diameter	Unit dimensions				Allowable displacement				Allowable displacement upon installation				Weight Reference (kg)
	ϕd (mm)	ϕg (mm)	L (mm)	t (mm)	Expansion (mm)	Contraction (mm)	Eccentricity (mm)	Declination (°)	Expansion (mm)	Contraction (mm)	Eccentricity (mm)	Declination (°)	
40	37	83	120	3.0	15	17	13	25	5	6	5	5	3.2
50	49	98	125	3.0	17	23	17	25	6	8	6	5	3.9
65	62	118	130	3.0	19	25	19	25	7	9	7	5	5.3
80	73	127	134	3.0	21	29	20	25	7	10	7	5	5.3
100	98	152	156	3.0	25	33	25	20	9	12	9	4	6.1
125	122	181	168	3.0	27	35	25	20	9	12	9	4	10.0
150	147	211	180	4.0	29	36	25	20	10	13	9	4	13.1
200	196	260	184	4.0	29	36	25	10	10	10	9	2	15.4
250	245	319	192	4.0	29	36	25	10	10	10	9	2	22.0
300	294	363	196	4.0	29	36	25	10	10	10	9	2	25.7

- Weights with SS400 or JIS10K flanges (standard) mounted are indicated.
- Dimension allowances on installation are included in allowable displacements.
(Allowable displacement = Dimension allowances on installation + Displacement under operation)



Product features

- ① Ultra-flexible type PTFE inner surface coating type.
- ② Excellent chemical resistance employing PTFE (polyethylene tetrafluoride) on areas in contact with liquid (internal surface).
- ③ Increased resistance to external shocks due to integration of structure with durable, strong rubber.

Product applications

- ① Piping for corrosive gas in chemical plants.

*Specifications and structures are subject to change without notice for purposes of improvement.