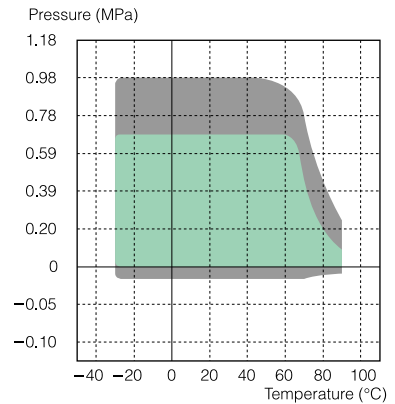
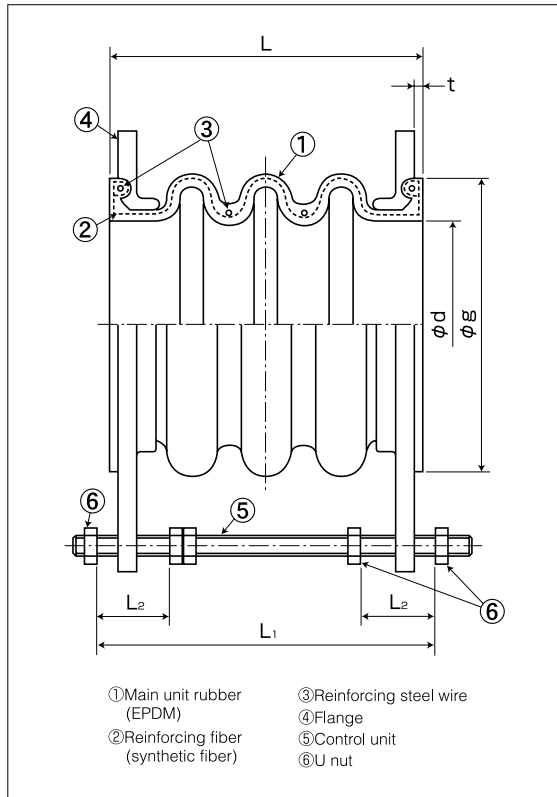


Pressure PL Type (large diameter)



■ Working range applicable when combined displacement is 50% or lower.

■ Working range applicable when combined displacement exceeds 50%.

Operating pressure: 0.98MPa (10kgf/cm²) or lower

Negative pressure: -0.01MPa (-0.1kgf/cm²) or higher

Operating temperature: -30°C ~ +90°C (Cooling and heating water)

● Before use, check that maximum working pressure and maximum working temperature are within operational ranges.

Standard dimensions and allowable displacements

Nominal diameter	Unit dimensions				Allowable displacement				Allowable displacement upon installation				Weight Reference (kg)	Dimensions of control unit set			
	φ d (mm)	φ g (mm)	L (mm)	t (mm)	Expansion (mm)	Contraction (mm)	Eccentricity (mm)	Declination (°)	Expansion (mm)	Contraction (mm)	Eccentricity (mm)	Declination (°)		Bolt used	L ₁ (mm)	L ₂ (mm)	Number of installed units
350	350	415	382	6.0	44	56	30	10	15	20	11	2	28.7	M-20	414	84	3
400	400	475	394	6.0	44	56	30	10	15	20	11	2	37.6	M-24	426	86	3
450	450	530	402	6.0	44	56	30	8	15	20	11	2	46.4	M-24	434	88	3
500	500	585	436	6.0	44	56	30	8	15	20	11	2	53.2	M-24	470	90	3
600	600	690	436	6.0	44	56	30	8	15	20	11	2	76.6	M-27	470	94	3
700	700	770	489	6.0	44	56	30	5	15	20	11	1	89.4	M-27	523	98	3
800	800	905	544	6.0	44	56	30	5	15	20	11	1	114.2	M-27	578	102	3

● Weights with AC7A or JIS10K flanges mounted are indicated.

● Dimension allowances on installation are included in allowable displacements.

(Allowable displacement = Dimension allowances on installation + Displacement under operation)

Product features

- ① Stable durability with a combination of strong reinforcing fibers and reinforcing steel wires.
- ② Excellent chemical resistance and weather resistance by employing EPDM as internal and external rubber surface material.
- ③ Allowable displacement larger than that of P type products.
- ④ Excellent installation workability with loose flange.

Product applications

- ① Absorption of expansion, contraction and displacement of low-pressure piping.
- ② Absorption of expansion, contraction and displacement of piping for water supplies and sewers.
- ③ Protecting piping joints around water tanks.

Considerations for handling

- This product may not be used with oils and solvents.
- This product may not be used with piping for hot water and swimming pool water circulatory systems. We recommend PF type products with PTFE internal material for these applications.

※ Specifications and structures are subject to change without notice for purposes of improvement.

